

LightBend™ 1x1, 1x2, 2x2 Bypass Single-Mode Fiberoptic Switch

(Bidirectional)

(Protected by U.S. patent 6823102 and pending patents)



DATASHEET

BUY NOW



Features

- Low Optical Distortions
- 8 Ports Integration
- High Isolation
- High Reliability
- Fail-Safe Latching
- Epoxy-Free Optical Path
- Low Cost

Applications

- Protection
- Instrumentation

The LB Series Dual 1x2 fiber optic switch connects optical channels by redirecting an incoming optical signal into a selected output fiber. This is achieved using a patent pending opto-mechanical configuration and activated via an electrical control signal. Latching operation preserves the selected optical path after the driver signal has been removed. The switch has integrated electrical position sensors. The new material-based advanced design significantly reduces moving part position sensitivity, offering unprecedented high stability as well as an unmatched low cost. Electronic driver is available for this series of switches. The switch is bidirectional.

We offer tight-bend-fiber version, which reduces the minimum bending radius from normal 15 mm to 7 mm. This feature enables smaller overall footprint.

Specifications

Parameter		Min	Typical	Max	Unit
Wavelength	Dual Band	1260~1360 and 1510~1620			nm
	Single Band	1260~1360 or 1510~1620			
	Broad Band	1260~1620			
Insertion Loss ^{[1], [2]}			0.5	0.9	dB
Wavelength Dependent Loss			0.15	0.4 (DW ^[3])	dB
Polarization Dependent Loss				0.1	dB
Return Loss ^{[1], [2]}		55			dB
Cross Talk ^[1]		55			dB
Switching Time			3	10	ms
Repeatability				± 0.02	dB
Durability		10 ⁷			cycle
Operating Optical Power			300	500 ^[4]	mW
Operating Voltage		4.5	5	6	VDC
Operating Current			30	60	mA
Switching Type		Latching / Non-Latching			
Operating Temperature		-5		70	°C
Storage Temperature		-40		85	°C
Fiber Type		SFM-28			

Notes:

- [1]. 23° over operating wavelength and all SOP.
- [2]. Excluding Connectors.
- [3]. DW: Dual band and Broad band.
- [4]. Continuous operation, for pulse operation call

Warning: This device must use the reference circuit to driver otherwise it is unstable.

Legal notices: All product information is believed to be accurate and is subject to change without notice. Information contained herein shall legally bind Agiltron only if it is specifically incorporated into the terms and conditions of a sales agreement. Some specific combinations of options may not be available. The user assumes all risks and liability whatsoever in connection with the use of a product or its application.

Rev 12/21/23

LightBend™ 1x1, 1x2, 2x2 Bypass Single-Mode Fiberoptic Switch



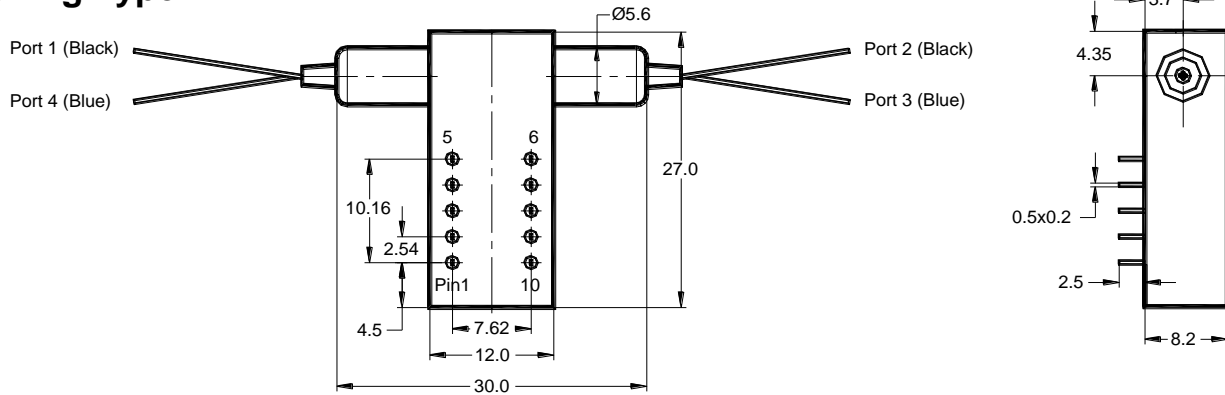
(Bidirectional)

(Protected by U.S. patent 6823102 and pending patents)

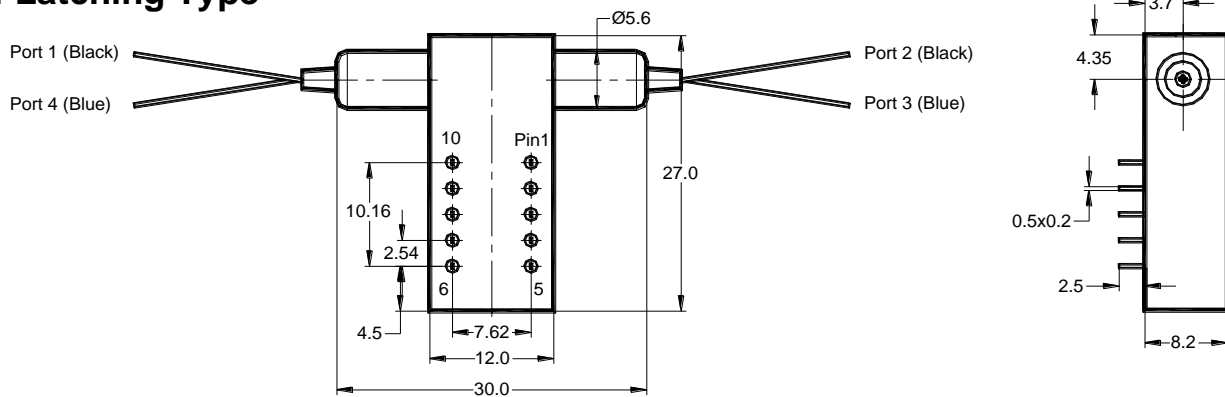
DATASHEET

Mechanical Dimensions (Unit: mm)

Latching Type

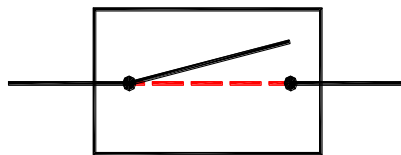


Non-Latching Type

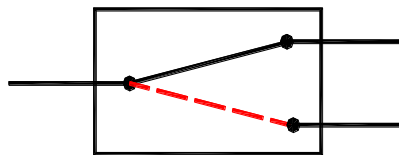


*Product dimensions may change without notice. This is sometimes required for non-standard specifications.

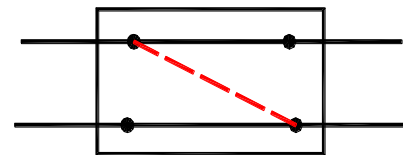
Functional Diagram



LB 1x1 Switch



LB 1x2 Switch



LB 2x2 Bypass Switch

LightBend™ 1x1, 1x2, 2x2 Bypass Single-Mode Fiberoptic Switch

(Bidirectional)



(Protected by U.S. patent 6823102 and pending patents)

DATASHEET

Electrical Connector Configurations

The load is a resistive coil which is activated by applying 5V (draw ~ 40mA). However, the current flow direction must be correct otherwise it will cancel the permanent magnet inside causing instability. We strongly recommend to use the reference circuit to avoid major issues. We offer pushbutton elevation driver for verifications or convenient income inspection.

Latching Type – Single Coil

Application Note: Applying a constant driving voltage increases stability. The switches can also be driven by a pulse mode using Agiltron recommended circuit for energy saving.

LB 1x2 Switch

Optic Path	Electric Drive				Status Sensor			
	Pin 1	Pin 10	Pin 5	Pin 6	Pin 2-3	Pin 3-4	Pin 7-8	Pin 8-9
Port 1 ↔ Port 2	0	5V	N/A	N/A	Close	Open	Open	Close
Port 1 ↔ Port 3	5V	0	N/A	N/A	Open	Close	Close	Open

LB 2x2 Bypass Switch

Optic Path	Electric Drive				Status Sensor			
	Pin 1	Pin 10	Pin 5	Pin 6	Pin 2-3	Pin 3-4	Pin 7-8	Pin 8-9
Port 1 ↔ Port 2 Port 4 ↔ Port 3	0	5V	N/A	N/A	Close	Open	Open	Close
Port 1 ↔ Port 3	5V	0	N/A	N/A	Open	Close	Close	Open

Non-Latching Type

LB 1x2 Switch

Optic Path	Electric Drive				Status Sensor			
	Pin 1	Pin 10	Pin 5	Pin 6	Pin 2-3	Pin 3-4	Pin 7-8	Pin 8-9
Port 1 ↔ Port 2	5V	0	N/A	N/A	Open	Close	Close	Open
Port 1 ↔ Port 3	0		N/A	N/A	Close	Open	Open	Close

LB 2x2 Bypass Switch

Optic Path	Electric Drive				Status Sensor			
	Pin 1	Pin 10	Pin 5	Pin 6	Pin 2-3	Pin 3-4	Pin 7-8	Pin 8-9
Port 1 ↔ Port 2 Port 4 ↔ Port 3	5V	0	N/A	N/A	Open	Close	Close	Open
Port 1 ↔ Port 3	0		N/A	N/A	Close	Open	Open	Close

LightBend™ 1x1, 1x2, 2x2 Bypass Single-Mode Fiberoptic Switch



(Bidirectional)

(Protected by U.S. patent 6823102 and pending patents)

DATASHEET

Ordering Information

Prefix	Type	Wavelength	Switch	Package	Fiber Type	Fiber Cover	Fiber Length	Connector
LBSW-	1x1 Latching = 11 1x1 N/O ^[1] = 1O 1x1 N/C ^[2] = 1C 1x2 = 12 2x1 = 21 2x2 Bypass = 2B Special = 00	1060 = 1 C+L = 2 1310 = 3 1410 = 4 1550 = 5 650 = 6 780 = 7 850 = 8 1310 & 1550 = 9 1260~1620 = B Special = 0	Latch = 2 Non-latch = 3 Special = 0	Standard = 1 Special = 0	SMF-28 = 1 Corning XB = 2 Draka BBE = 3 Special = 0	Bare fiber = 1 900um tube = 3 Special = 0	0.25m = 1 0.5m = 2 1.0m = 3 Special = 0	None = 1 FC/PC = 2 FC/APC = 3 SC/PC = 4 SC/APC = 5 ST/PC = 6 LC/PC = 7 Duplex LC/PC = 8 LC/UPC = U Special = 0

[1]. N/O: LB 1x1 Switch, Non-Latching type, normally open.

[2]. N/C: LB 1x1 Switch, Non-Latching type, normally close.

Fiber Core Alignment

Note that the minimum attenuation for these devices depends on excellent core-to-core alignment when the connectors are mated. This is crucial for shorter wavelengths with smaller fiber core diameters that can increase the loss of many decibels above the specification if they are not perfectly aligned. Different vendors' connectors may not mate well with each other, especially for angled APC.

Fiber Cleanliness

Fibers with smaller core diameters (<5 μm) must be kept extremely clean, contamination at fiber-fiber interfaces, combined with the high optical power density, can lead to significant optical damage. This type of damage usually requires re-polishing or replacement of the connector.

Maximum Optical Input Power

Due to their small fiber core diameters for short wavelength and high photon energies, the damage thresholds for device is substantially reduced than the common 1550nm fiber. To avoid damage to the exposed fiber end faces and internal components, the optical input power should never exceed 20 mW for wavelengths shorter 650nm. We produce a special version to increase the handling by expanding the core side at the fiber ends.

LightBend™ 1x1, 1x2, 2x2 Bypass Single-Mode Fiberoptic Switch

(Bidirectional)

(Protected by U.S. patent 6823102 and pending patents)



DATASHEET

Driver Reference Design

